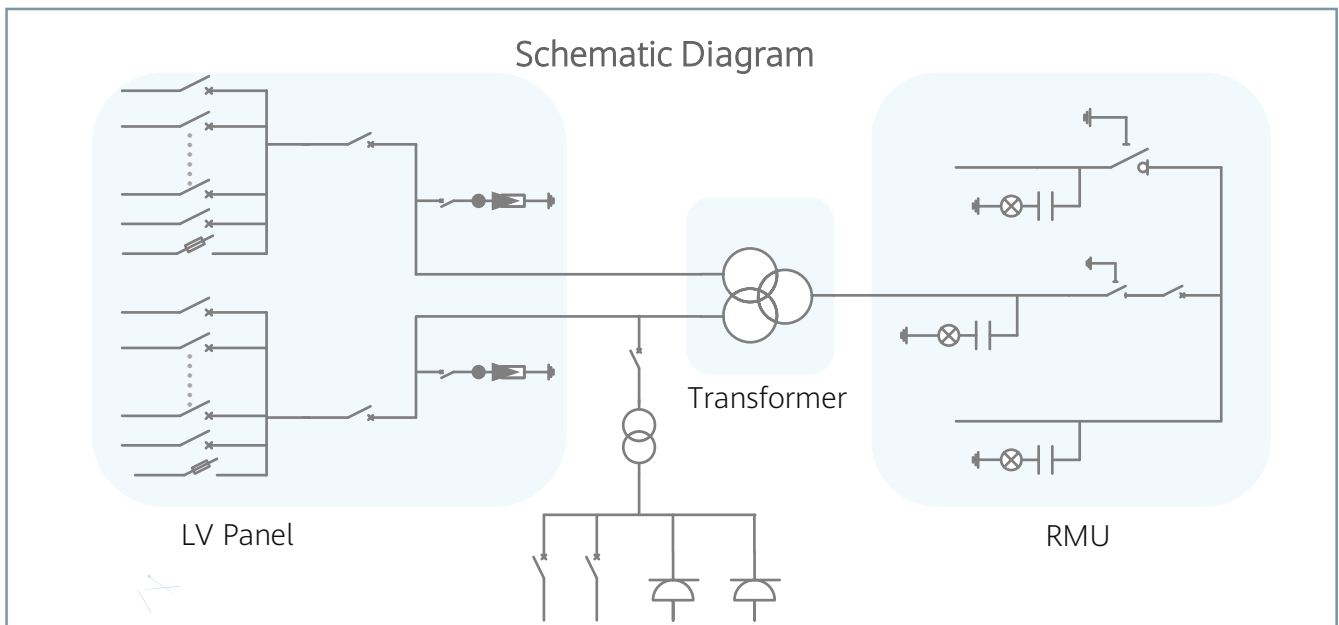


CPS PSA6.6MO-15 kV, 20 kV, 30kV,  
33 kV, 35 kV

6.6MVA Transformer Station



This Transformer Station is a compact 20 ft IP54 HC container. There are contains an outdoor transformer(Oil type), SF6 MV switchgear and LV cabinet.



Model	CPS PSA6.6MO-15 kV, 20 kV, 30kV, 33 kV, 35 kV
<b>LV Side input</b>	
AC Power	6,600 kVA @42°C <sup>[1]</sup>
Rated Input Voltage	800 V
Inverter input number	24(275kW inverter)
AC Frequency	50 Hz
Max. Input Current at Nominal Voltage	4764A
LV Cabinet	ACB(3200A/800V/3P,2x1 pcs), MCCB(250A/800V/3P,2x12 pcs)
<b>MV Side output</b>	
Rated Output Voltage	15 kV, 20 kV, 30kV, 33 kV, 35 kV
Tappings	± 2 x 2.5%
Winding type	Dy11y11
Minimum Peak Efficiency Index	In accordance with EN50588-1
Transformer oil type	Mineral oil
Impedance	7.5%
Load losses	41kW
No-load losses	5.8kW
RMU Type	SF6
Auxiliary transformer	5kVA, Dyn11, 0.8/0.4kV
<b>Protection</b>	
Protection Degree of MV & LV Room	IP54
SPD Protection	Type I+II
<b>General</b>	
Dimensions (W x H x D)	6,058 x 2,896 x 2,438 mm
Weight	< 22 t
Operating Temperature Range	-25°C ~ 60°C (-13°F ~ 140°F)
Relative Humidity	0% ~ 95%
Transformer Cooling Method	ONAN
Max. Operating Altitude	2,000 m
Standards	IEC 60076, IEC 61439-1, IEC 62271-200, IEC 62271-202, EN 50588-1

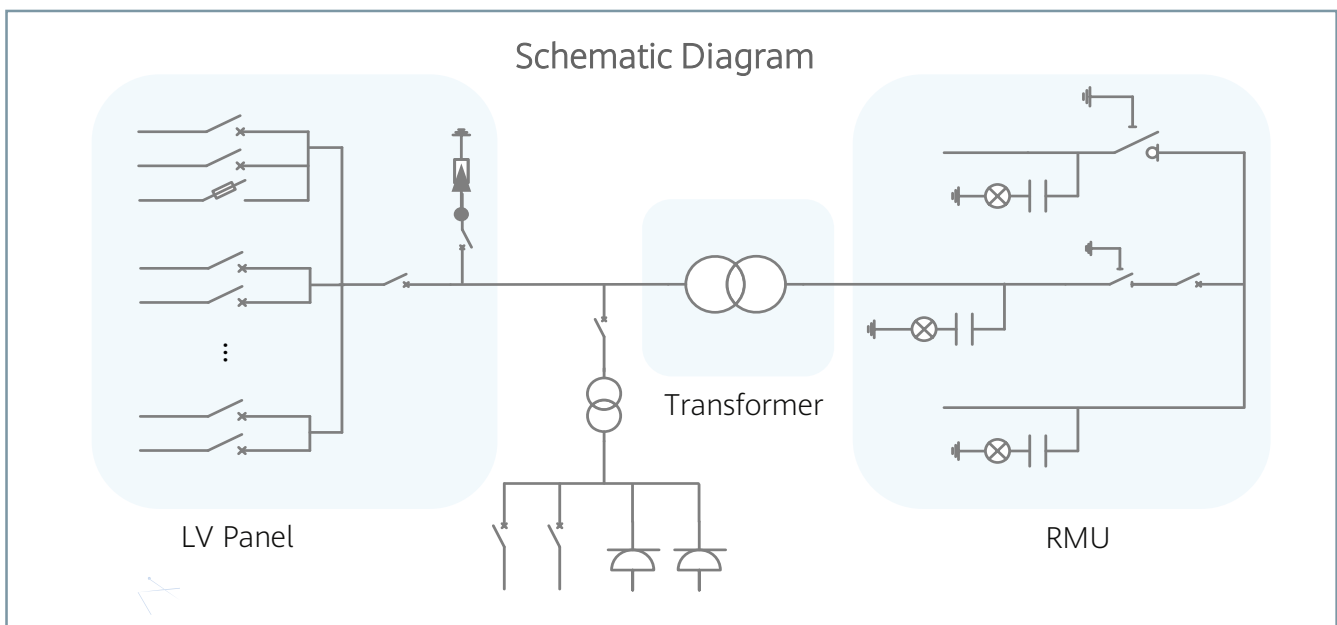
[1]When ambient temperature 55 , awning shall be equipped for PSA on site by customer.  
Note: The above specifications are for reference only, subject to the actual specifications.

CPS PSA3.3MO-15 kV, 20 kV, 30kV,  
33 kV, 35 kV

3.3MVA Transformer Station



This Transformer Station is a compact 20 ft IP54 HC container. There are contains an outdoor transformer(Oil type), SF6 MV switchgear and LV cabinet.



Model	CPS PSA3.3MO-15 kV, 20 kV, 30kV, 33 kV, 35 kV
<b>LV Side input</b>	
AC Power	3,300 kVA @42°C <sup>[1]</sup>
Rated Input Voltage	800 V
Inverter input number	12(275kW inverter)
AC Frequency	50 Hz
Max. Input Current at Nominal Voltage	2382A
LV Cabinet	ACB(3200A/800V/3P,1 pcs), MCCB(250A/800V/3P,12 pcs)
<b>MV Side output</b>	
Rated Output Voltage	15 kV, 20 kV, 30kV, 33 kV, 35 kV
Tappings	± 2 x 2.5%
Winding type	Dy11
Minimum Peak Efficiency Index	In accordance with EN50588-1
Transformer oil type	Mineral oil
Impedance	7.5%
Load losses	20.5kW
No-load losses	2.9kW
RMU Type	SF6
Auxiliary transformer	5kVA, Dyn11, 0.8/0.4kV
<b>Protection</b>	
Protection Degree of MV & LV Room	IP54
SPD Protection	Type I+II
<b>General</b>	
Dimensions (W x H x D)	6,058 x 2,896 x 2,438 mm
Weight	< 22 t
Operating Temperature Range	-25°C ~ 60°C (-13°F ~ 140°F)
Relative Humidity	0% ~ 95%
Transformer Cooling Method	ONAN
Max. Operating Altitude	2,000 m
Standards	IEC 60076, IEC 61439-1, IEC 62271-200, IEC 62271-202, EN 50588-1

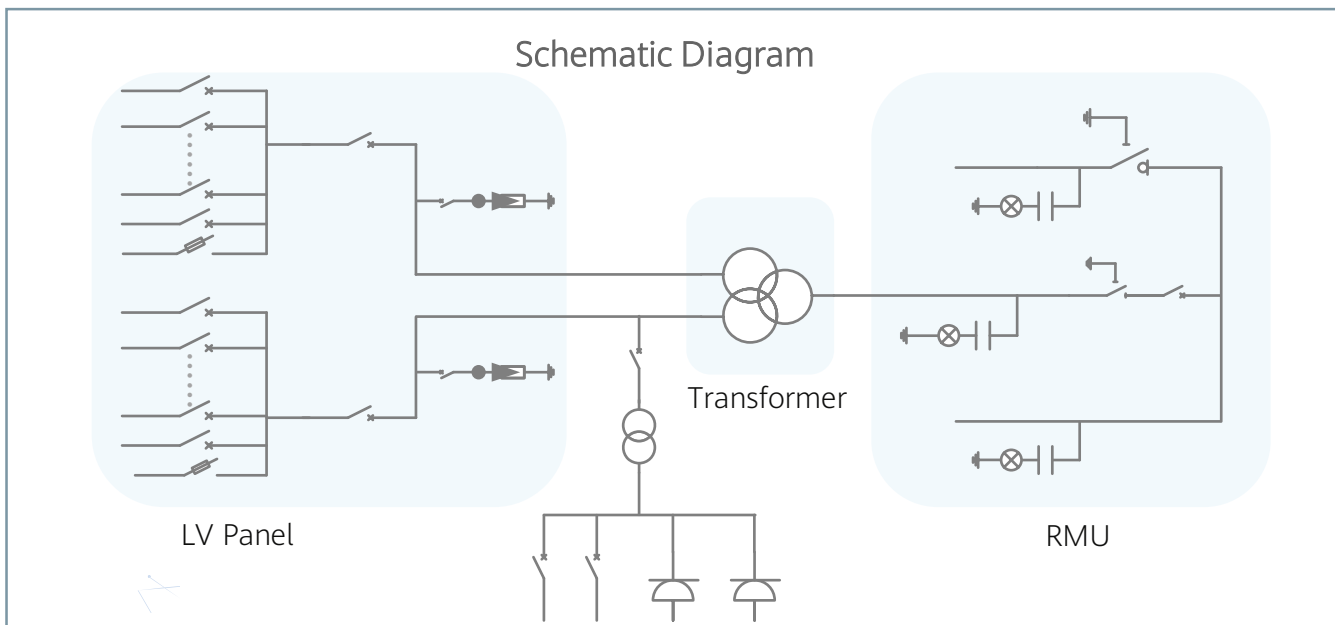
[1]When ambient temperature 55 , awning shall be equipped for PSA on site by customer.  
Note: The above specifications are for reference only, subject to the actual specifications.

CPS PSA7MO-15 kV, 20 kV, 30kV,  
33 kV, 35 kV

7MVA Transformer Station



This Transformer Station is a compact 20 ft IP54 HC container. There are contains an outdoor transformer(Oil type), SF6 MV switchgear and LV cabinet.



Model	CPS PSA7MO-15 kV, 20 kV, 30kV, 33 kV, 35 kV
<b>LV Side input</b>	
AC Power	7000kVA @45°C <sup>[1]</sup>
Rated Input Voltage	800 V
Inverter input number	20(350kW inverter)
AC Frequency	50 Hz
Max. Input Current at Nominal Voltage	5052A
LV Cabinet	ACB(3200A/800V/3P,2*1 pcs) MCCB(320A/800V/3P,2*10pcs)
<b>MV Side output</b>	
Rated Output Voltage	15 kV, 20 kV, 30kV, 33 kV, 35 kV
Tappings	± 2 x 2.5%
Winding type	Dy11y11
Minimum Peak Efficiency Index	In accordance with EN50588-1
Transformer oil type	Mineral oil
Impedance	8%
Load losses	49kW
No-load losses	3.49kW
RMU Type	SF6
Auxiliary transformer	5kVA, Dyn11, 0.8/0.4kV
<b>Protection</b>	
Protection Degree of MV & LV Room	IP54
SPD Protection	Type I+II
<b>General</b>	
Dimensions (W x H x D)	6,058 x 2,896 x 2,438 mm
Weight	< 22 t
Operating Temperature Range	-25°C ~ 60°C (-13°F ~ 140°F)
Relative Humidity	0% ~ 95%
Transformer Cooling Method	ONAN
Max. Operating Altitude	2,000 m
Standards	IEC 60076, IEC 61439-1, IEC 62271-200, IEC 62271-202, EN 50588-1

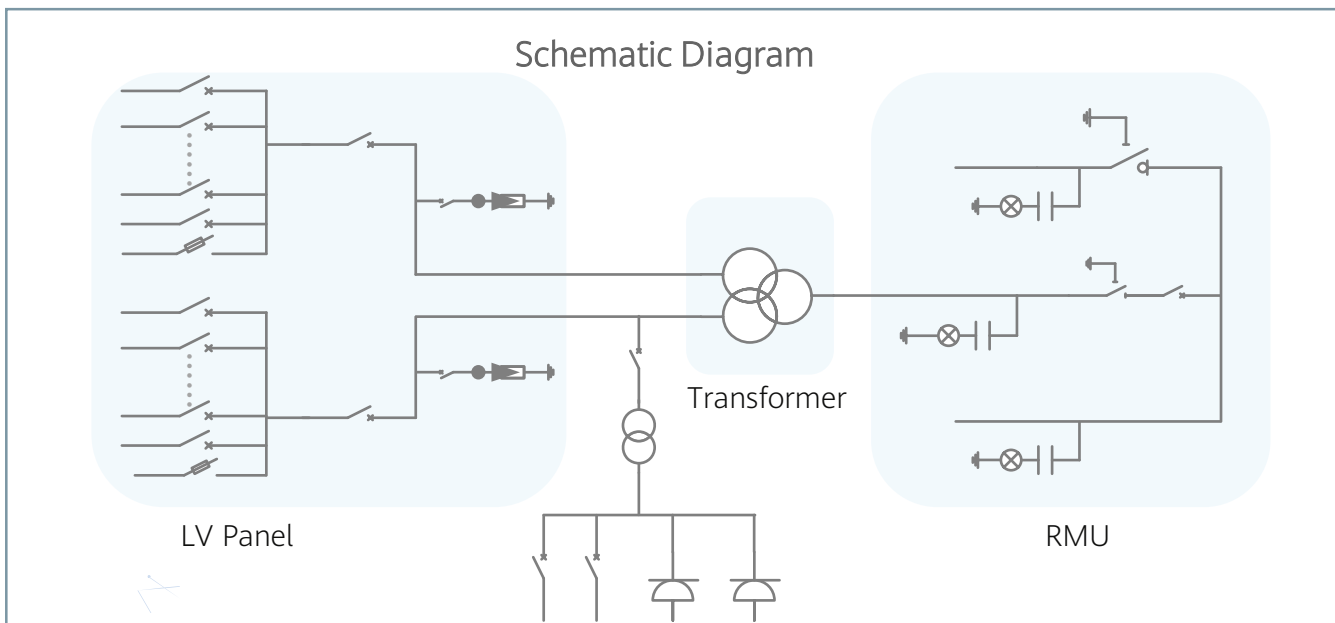
[1]When ambient temperature 55 , awning shall be equipped for PSA on site by customer.  
Note: The above specifications are for reference only, subject to the actual specifications.

CPS PSA9.1MO-15 kV, 20 kV, 30kV,  
33 kV, 35 kV

## 9.1MVA Transformer Station



This Transformer Station is a compact 20 ft IP54 HC container. There are contains an outdoor transformer(Oil type), SF6 MV switchgear and LV cabinet.



Model	CPS PSA9.1MO-15 kV, 20 kV, 30kV, 33 kV, 35 kV
<b>LV Side input</b>	
AC Power	9100kVA @45°C <sup>[1]</sup>
Rated Input Voltage	800 V
Inverter input number	26(350kW inverter)
AC Frequency	50 Hz
Max. Input Current at Nominal Voltage	6567.6A
LV Cabinet	ACB(4000A/800V/3P,2*1 pcs) MCCB(320A/800V/3P,2*13pcs)
<b>MV Side output</b>	
Rated Output Voltage	15 kV, 20 kV, 30kV, 33 kV, 35 kV
Tappings	± 2 x 2.5%
Winding type	Dy11y11
Minimum Peak Efficiency Index	In accordance with EN50588-1
Transformer oil type	Mineral oil
Impedance	8%
Load losses	49kW
No-load losses	3.49kW
RMU Type	SF6
Auxiliary transformer	5kVA, Dyn11, 0.8/0.4kV
<b>Protection</b>	
Protection Degree of MV & LV Room	IP54
SPD Protection	Type I+II
<b>General</b>	
Dimensions (W x H x D)	6,058 x 2,896 x 2,438 mm
Weight	< 22 t
Operating Temperature Range	-25°C ~ 60°C (-13°F ~ 140°F)
Relative Humidity	0% ~ 95%
Transformer Cooling Method	ONAN
Max. Operating Altitude	2,000 m
Standards	IEC 60076, IEC 61439-1, IEC 62271-200, IEC 62271-202, EN 50588-1

[1]When ambient temperature 55 , awning shall be equipped for PSA on site by customer.  
Note: The above specifications are for reference only, subject to the actual specifications.

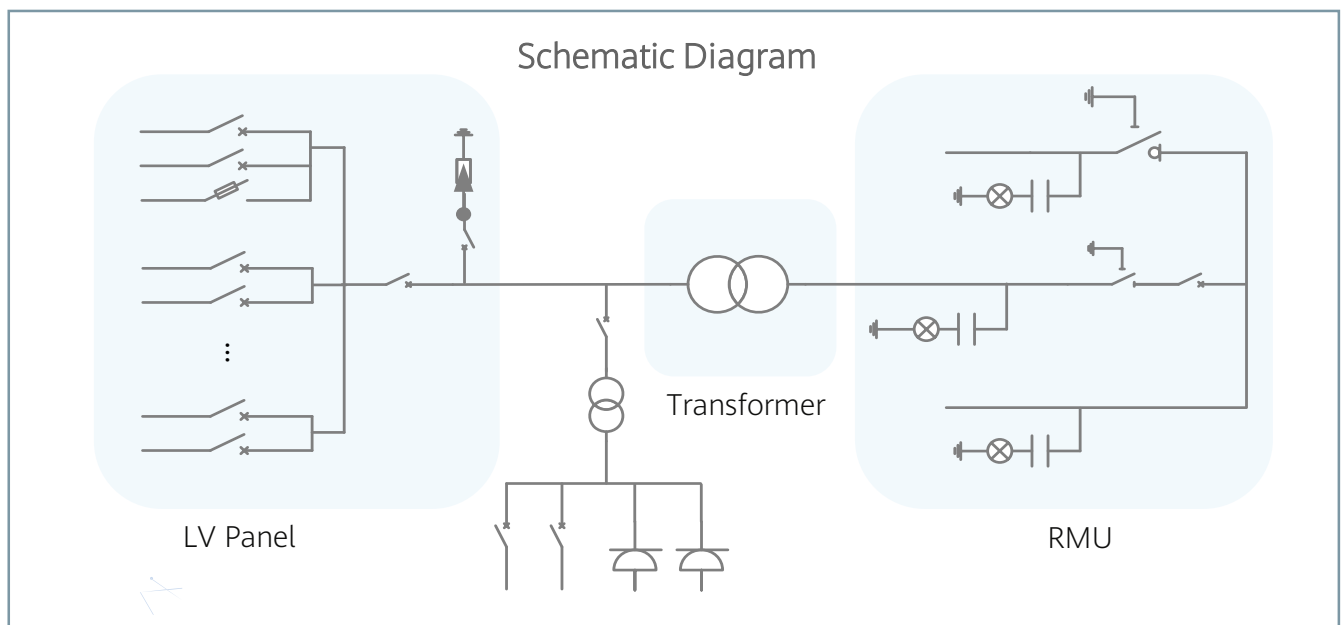


CPS PSA3.5MO-15 kV, 20 kV, 30kV,  
33 kV, 35 kV

### 3.5MVA Transformer Station



This Transformer Station is a compact 20 ft IP54 HC container. There are contains an outdoor transformer(Oil type), SF6 MV switchgear and LV cabinet.



Model	CPS PSA3.5MO-15 kV, 20 kV, 30kV, 33 kV, 35 kV
<b>LV Side input</b>	
AC Power	3500kVA @45°C <sup>[1]</sup>
Rated Input Voltage	800 V
Inverter input number	10(350kW inverter)
AC Frequency	50 Hz
Max. Input Current at Nominal Voltage	2526A
LV Cabinet	ACB(3200A/800V/3P,1 pcs) MCCB(320A/800V/3P,10pcs)
<b>MV Side output</b>	
Rated Output Voltage	15 kV, 20 kV, 30kV, 33 kV, 35 kV
Tappings	± 2 x 2.5%
Winding type	Dy11
Minimum Peak Efficiency Index	In accordance with EN50588-1
Transformer oil type	Mineral oil
Impedance	8%
Load losses	22.134kW
No-load losses	1.902kW
RMU Type	SF6
Auxiliary transformer	5kVA, Dyn11, 0.8/0.4kV
<b>Protection</b>	
Protection Degree of MV & LV Room	IP54
SPD Protection	Type I+II
<b>General</b>	
Dimensions (W x H x D)	6,058 x 2,896 x 2,438 mm
Weight	< 22 t
Operating Temperature Range	-25°C ~ 60°C (-13°F ~ 140°F)
Relative Humidity	0% ~ 95%
Transformer Cooling Method	ONAN
Max. Operating Altitude	2,000 m
Standards	IEC 60076, IEC 61439-1, IEC 62271-200, IEC 62271-202, EN 50588-1

[1]When ambient temperature 55 , awning shall be equipped for PSA on site by customer.  
Note: The above specifications are for reference only, subject to the actual specifications.